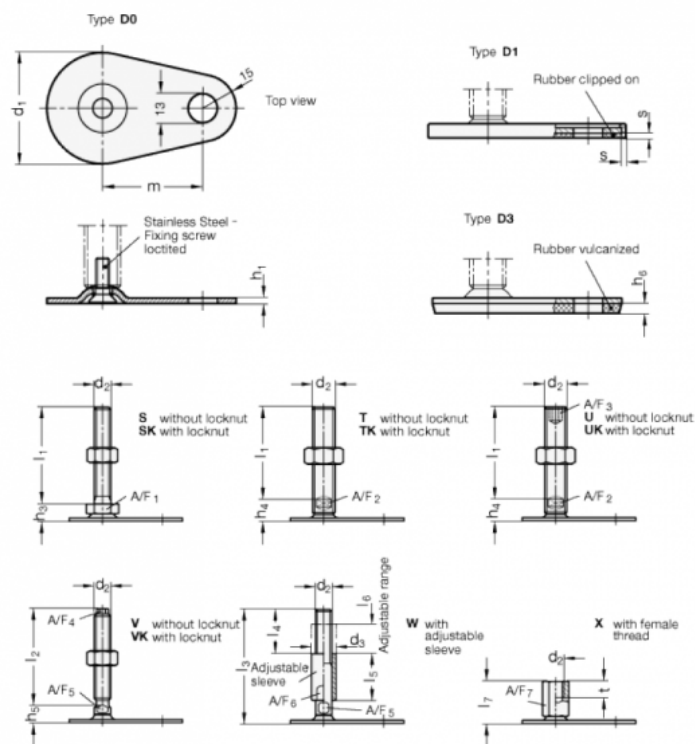


Article number: 204380M16125D3T
 Description: E+G levelling foot
 GN 43-80-M16-125-D3-T
 Note: T Without nut, Wrench flat at the bottom

Measures



A/F2 = 12	s =
d1 = 80	
d2 = M16	
h1 = 3	
h4 = 18	
h6 = 5	
l1 = 125	
m = 70	